

ASSEMBLY INSTRUCTION
3292-2780



A	B	C	D	E	F	G
			 Ø11x12.5			 Ø3.5x11
12 PCS	2 PCS	2 PCS	4 PCS	1 PC	2 PCS	16 PCS

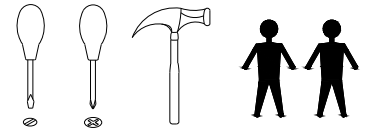


FIG.
1

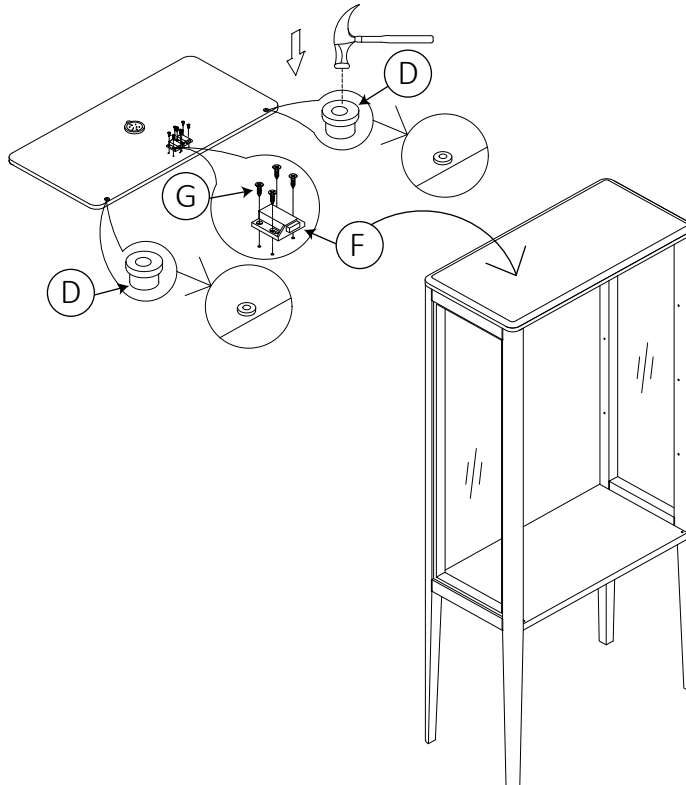
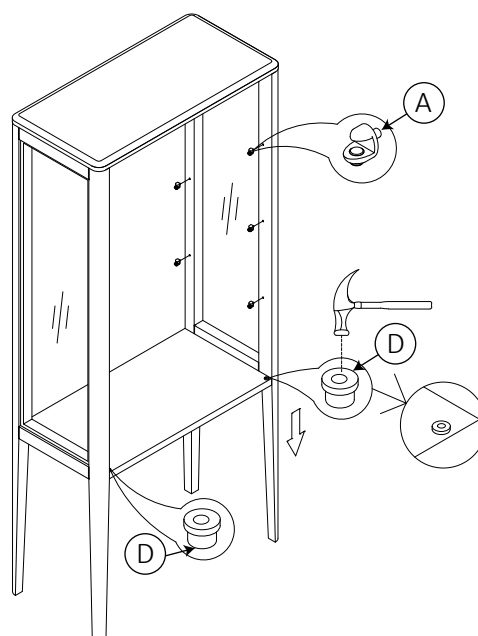


FIG.
2




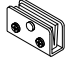





A	B	C	D	E	F	G
			 Ø11x12.5			 Ø3.5x11
12 PCS	2 PCS	2 PCS	4 PCS	1 PC	2 PCS	16 PCS



FIG.
3

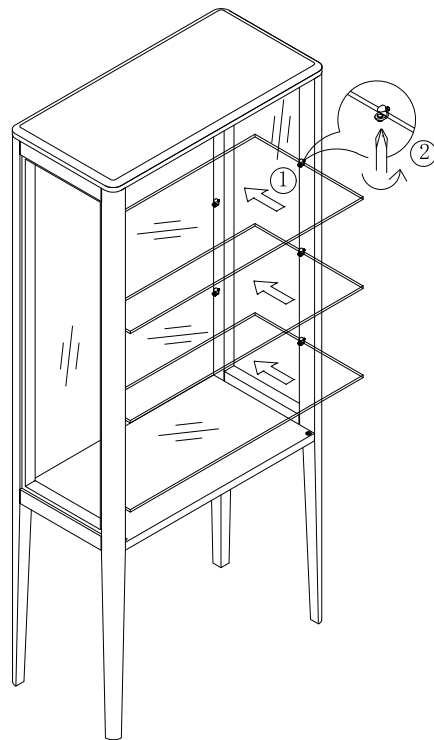
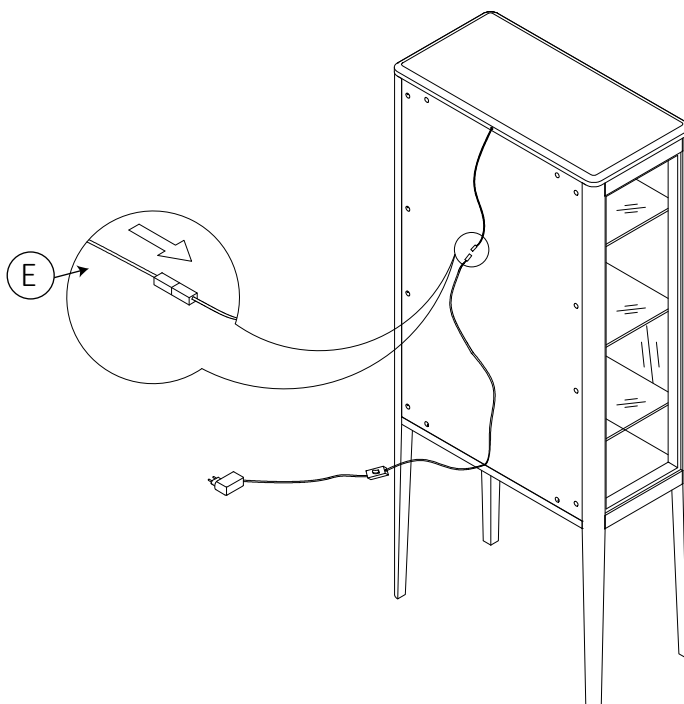


FIG.
4




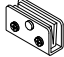





A	B	C	D	E	F	G
			 Ø11x12.5			 Ø3.5x11
12 PCS	2 PCS	2 PCS	4 PCS	1 PC	2 PCS	16 PCS



FIG.
5

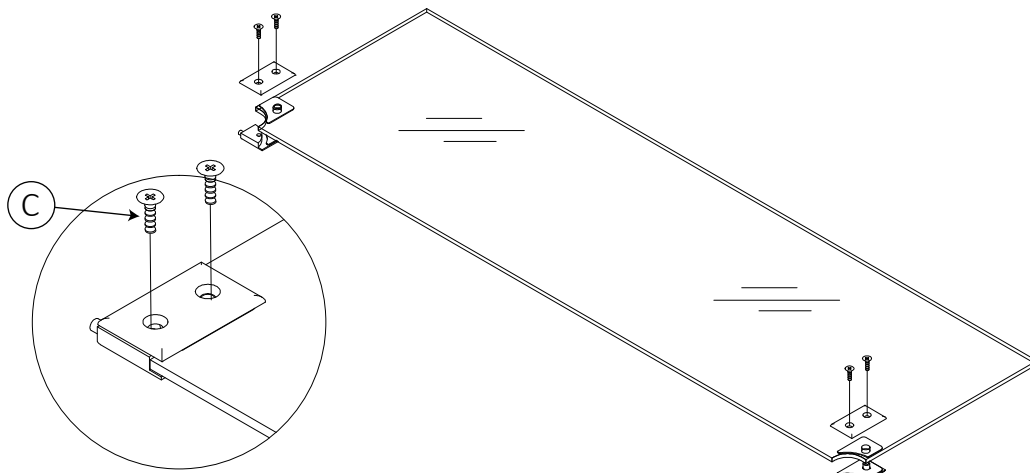
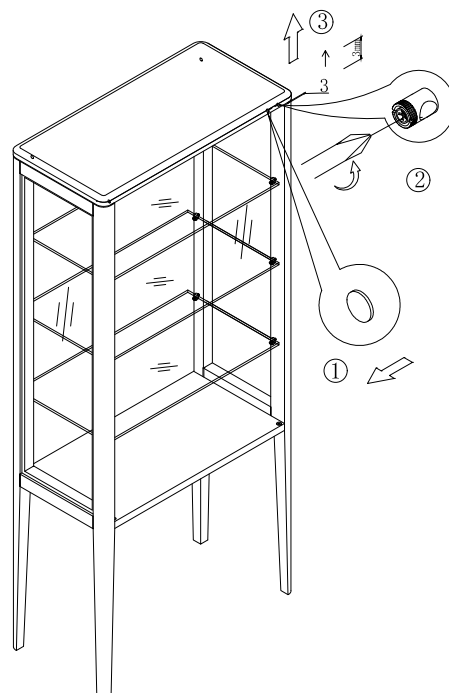


FIG.
6



ASSEMBLY INSTRUCTION
3292-2780



A	B	C	D	E	F	G
12 PCS	2 PCS	2 PCS	4 PCS	1 PC	2 PCS	16 PCS



FIG.
7

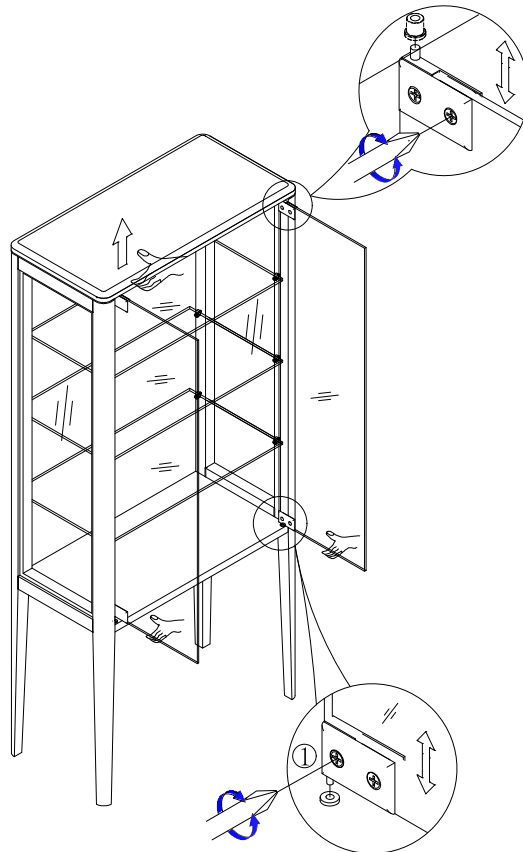
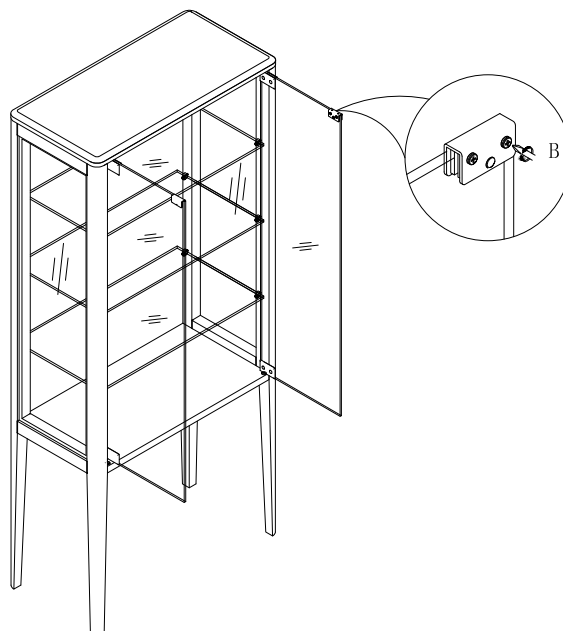

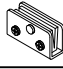
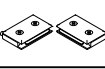


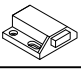



FIG.
8



A	B	C	D	E	F	G
			 Ø11x12.5			 Ø3.5x11
12 PCS	2 PCS	2 PCS	4 PCS	1 PC	2 PCS	16 PCS

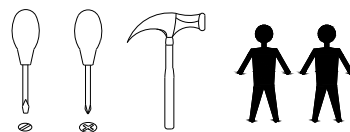


FIG.
9

